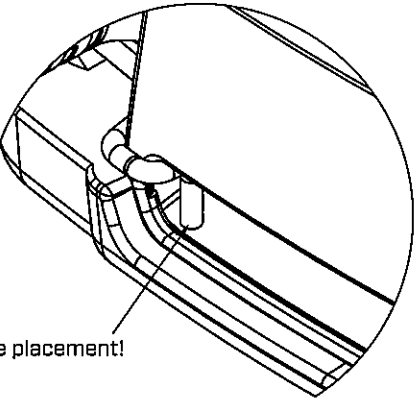
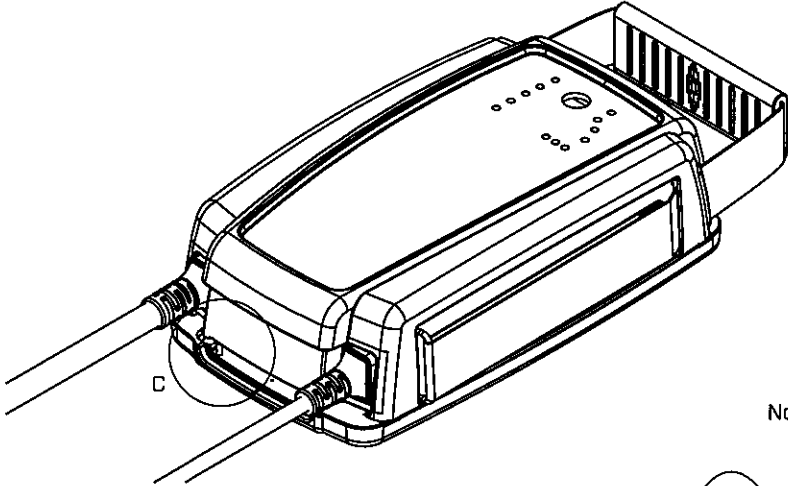
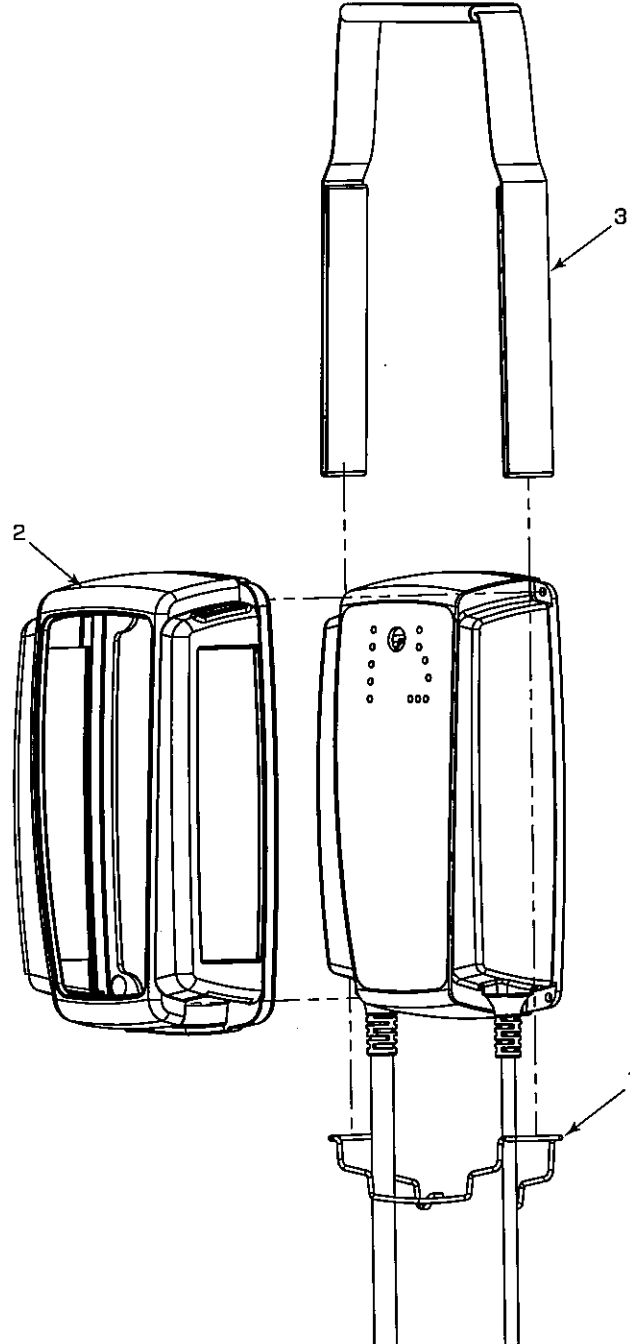
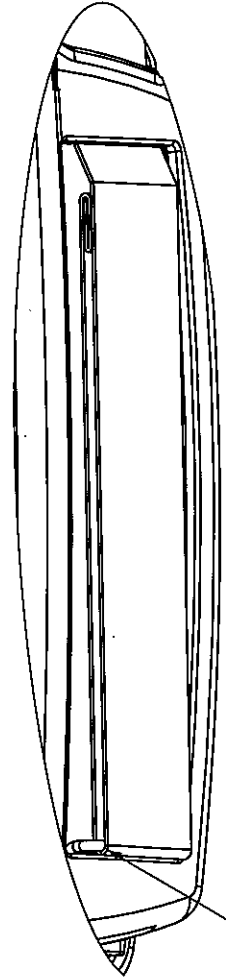
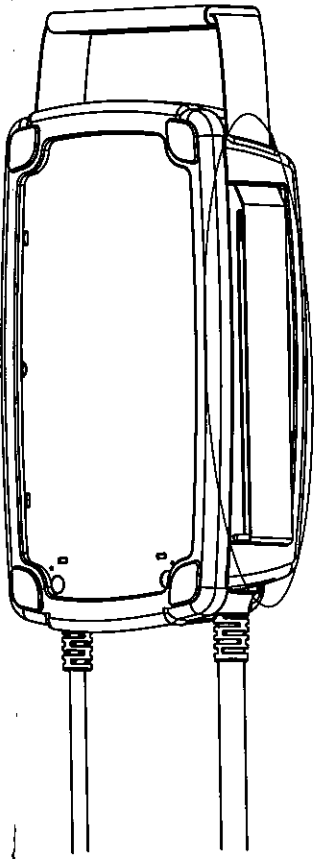


BUMPER 300

MOUNTING INSTRUCTION



DETAIL C
SCALE 2:1



DETAIL B
SCALE 1:1